

## Technical Specifications

<b>Power supply</b>	via Nano IO Air / Dimmer Air
<b>Ambient temperature</b>	-20 ... 70°C / -4 ... 158°F
<b>Humidity</b>	max. 95% r.H. (non-condensing)
<b>Touch points</b>	5 touch points, capacitive touch detection
<b>Click feedback</b>	Yes
<b>Safety rating</b>	IP40
<b>Dimensions</b>	80x80x10mm / 3.15x3.15x0.4" (LxWxH)
<b>Maintenance &amp; Cleaning</b>	This device is free of maintenance and may only be cleaned with a dry cloth.

# LOXONE

**Loxone  
Electronics GmbH**  
Smart Home 1  
4154 Kollerschlag  
Austria

**Loxone UK**  
The Forum  
Station Road  
Theale, RG7 4RA  
United Kingdom



For additional information,  
declaration of conformity, visit  
[www.loxone.com/datasheets](http://www.loxone.com/datasheets)

V280125



Need Help?  
[loxone.com/support](http://loxone.com/support)



# LOXONE



## Touch for Nano

Part No.: 100154 (White)  
Part No.: 100181 (Anthracite)

## About the product

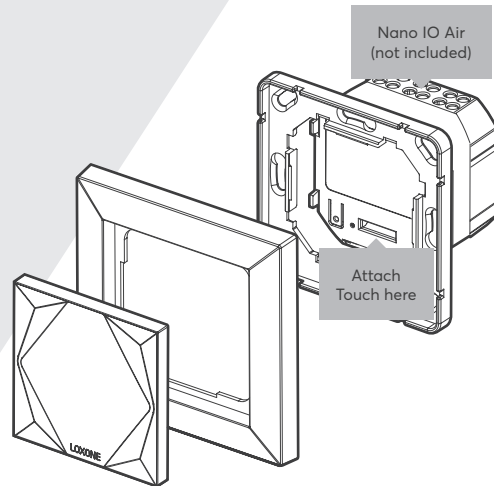
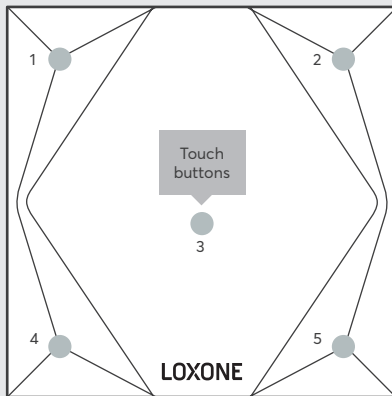
The Loxone Touch has five touch zones, which can be configured according to your needs. The large central touch zone is ideal for controlling lighting, whilst the corner zones are handy for controlling music and blinds, for example.

## Features

- 5 touch buttons
- Optional click feedback

## Installation

Install the mounting frame on the desired installation place. Attach the Touch on the Nano IO Air or Nano Dimmer Air and configure it in Loxone Config.



This folder is a part of the product!



For additional information,  
visit [www.loxone.com/help/touch-nano](http://www.loxone.com/help/touch-nano)